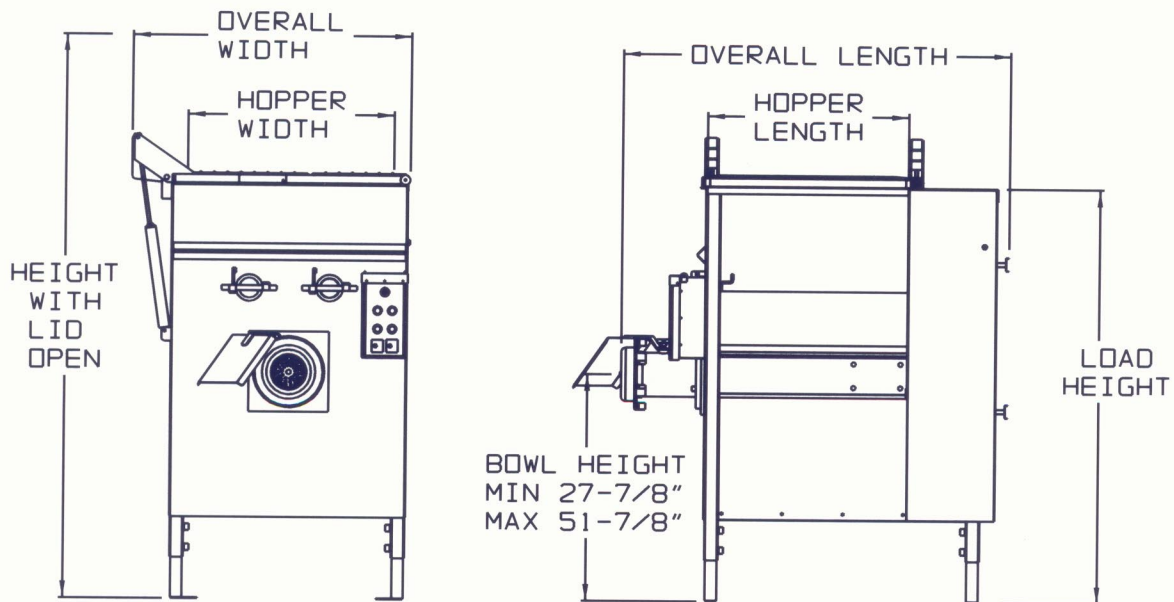


# DANIELS FOOD EQUIPMENT

## AFMG 400, 600, 800 MIXER GRINDER



MODEL	AFMG 400	AFMG 600	AFMG 800
HEIGHT WITH LID OPEN	MIN 78" MAX 102"	MIN 86" MAX 105"	MIN 94" MAX 108"
OVERALL WIDTH	41-1/2"	45-1/4"	49"
HOPPER WIDTH	30-3/4"	33-3/8"	36"
HOPPER LENGTH	30"	33-1/2"	37"
OVERALL LENGTH	58"	61-3/8"	64-3/4"
LOAD HEIGHT	MIN 56" MAX 80"	MIN 58" MAX 82"	MIN 60" MAX 84"
CAPACITY	400 LBS	600 LBS	800 LBS
WEIGHT	1800 LBS	1900 LBS	2000 LBS

## SPECIFICATIONS

- MOTOR:** GRINDER; 230/460 VOLTS, 52/56 AMPS, 1175 RPM, 60 Hz, 20 HP, 3 PH.  
MIXER; 230/460 VOLTS, 13.4/6.7 AMPS 1725 RPM, 60 Hz, 5 HP, 3 PH.
- HOPPER:** HEAVY GAUGE STAINLESS STEEL CONSTRUCTION, REMOVABLE PADDLES, GRATED HOPPER COVER.
- OUTPUT:** #56; 200 – 400 LBS. PER MINUTE, DEPENDS ON PLATE HOLE SIZE.

P.E.N., Inc. dba

### DANIELS FOOD EQUIPMENT

310 NORTH CLAYBORN AVE. PARKERS PRAIRIE, MN. 56361 PHONE: (218) 338-5000 FAX (218) 338-5909.

WEB: [www.danielsfood.com](http://www.danielsfood.com)

E-MAIL: [danielsfood@midwestinfo.net](mailto:danielsfood@midwestinfo.net)

7/8/2002