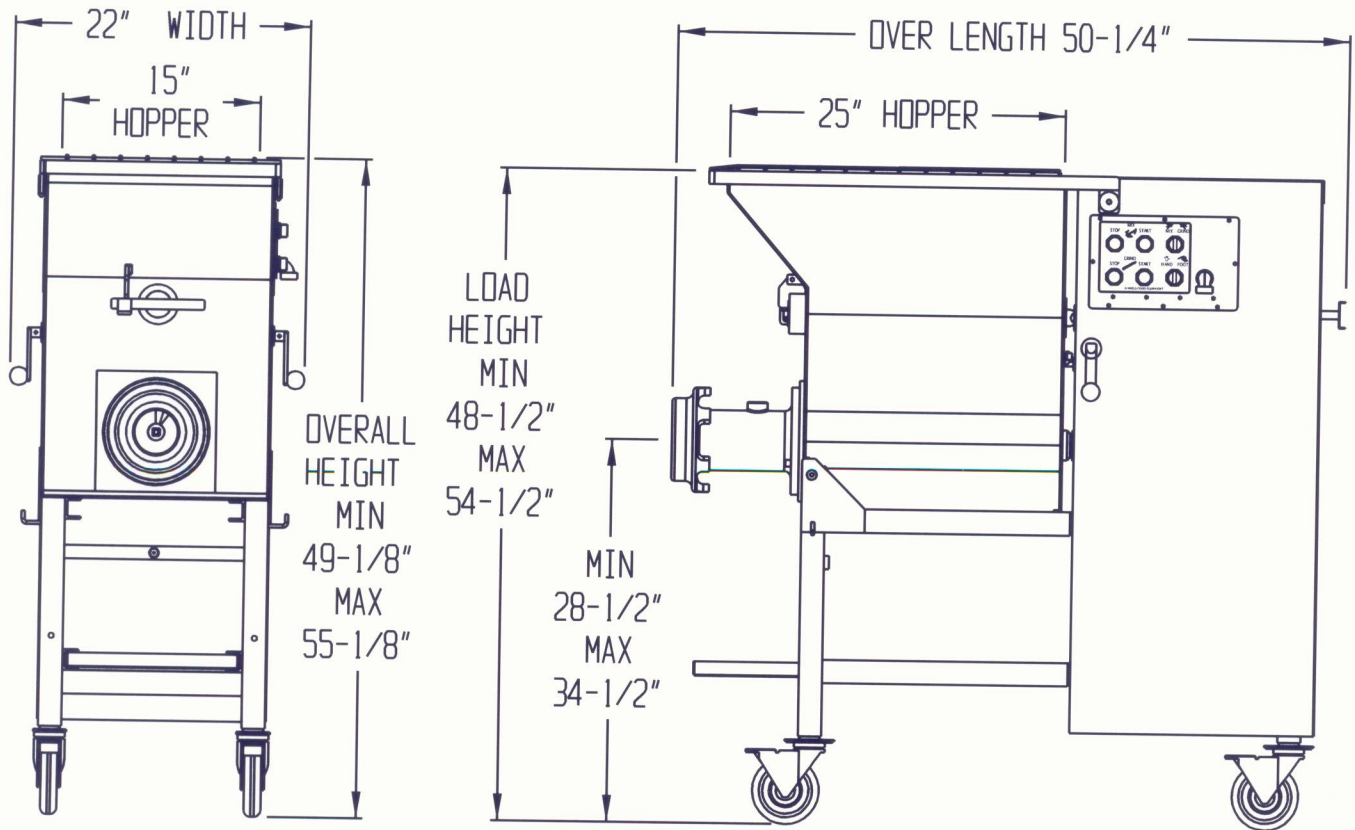


# **DANIELS FOOD EQUIPMENT**

## **AFMG 532 MIXER GRINDER**



### **SPECIFICATIONS**

- STANDARD MOTOR:** GRINDER; 230 VOLT, 13.2 AMP, 1725 RPM, 60 Hz, 5 HP, 3 PH.  
MIXER; 230 VOLT, 3.0 AMP, 1725 RPM, 60 Hz, 3/4 HP, 3 PH.
- OPTIONAL MOTOR:** GRINDER; 208/460 VOLT, 15/6.6 AMP, 1725 RPM, 60 Hz, 3 PH.  
MIXER; 208/460 VOLT, 3.6/1.5 AMP, 1725 RPM, 60 Hz, 3 PH.  
GRINDER; 230/460 VOLT, 23/11.5 AMP, 1725 RPM, 60 Hz, 5 HP, 1 PH.  
MIXER; 230/460 VOLT, 5.4/2.7 AMP, 1725 RPM, 60 Hz, 3/4 HP, 1 PH.
- CONSTRUCTION:** ALL STAINLESS STEEL CONSTRUCTION,  
100 LBS. CAPACITY, REMOVABLE PADDLE, GRATED  
HOPPER COVER, ADJUSTABLE SHELF.
- CONTROLS:** MIX ON/OFF - BOTH DIRECTIONS, GRIND ON/OFF,  
HAND OR FOOT CONTROL
- WEIGHT:** 605 LBS., SHIPPING INFO: 655 LBS. SIZE: 36" X 60" X 48" HIGH

P.E.N., Inc. dba

### **DANIELS FOOD EQUIPMENT**

310 NORTH CLAYBORN AVE. PARKERS PRAIRIE, MN. 56361 PHONE: (218) 338-5000 FAX (218) 338-5909.

WEB: [www.danielsfood.com](http://www.danielsfood.com) E-MAIL: [edaniels@danielsfood.com](mailto:edaniels@danielsfood.com)