

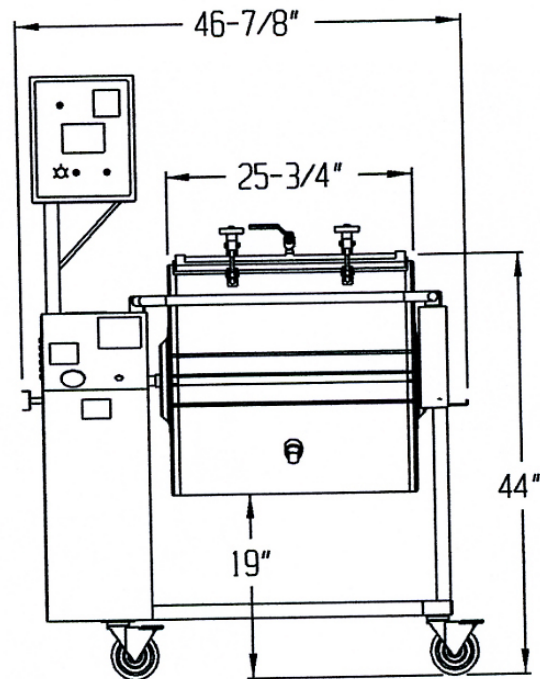
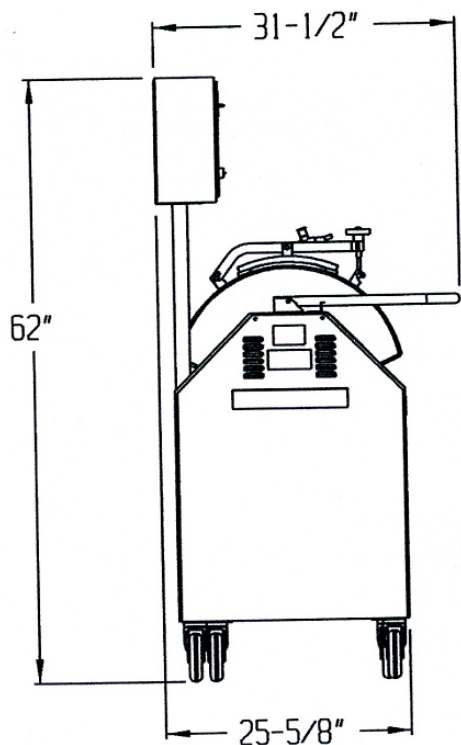
## DVTS 200 TUMBLER



If your looking for a quality tumbler you found it! The DVTS 200 tumbler has variable speed control, 0 to 15 rpm. Easy to clean inside the tank, the lid is as wide as tank. Safety bar and safety switch. LED timer in hours and minutes, also does batch counting. Nema 4 control panel. Forward and reverse tumbling. Jog switch so you can rotate the tank just where you want it for unloading, loading and cleaning. Two vacuum filters. Liquid filled vacuum gauge. Drain plug on tank. 115 volt. Optional paddle for aggressive tumbling. Gain profits by tumbling, weight gain and tenderizing all in minutes.

# DANIELS FOOD EQUIPMENT

## DVTS 200 TUMBLER



### SPECIFICATIONS

<b>TOTAL POWER INPUT:</b>	15 AMP, 115 VOLT, 60 Hz CIRCUIT
<b>TUMBLER DRIVE:</b>	VARIABLE SPEED CONTROL, FWD/OFF/REV
<b>VACUUM PUMP:</b>	1/4 HP 115 VOLT, 60 Hz
<b>TIMER:</b>	DIGITAL TIMER, HOURS, MINUTES
<b>ELECTRONIC CONTROLS:</b>	TUMBLER SPEED-ADJUSTABLE 0-15 RPM, "JOG"- "RUN" TOGGLE SWITCH, "FWD"- "REV" TOGGLE SWITCH, "START"- "STOP" TOGGLE SWITCH, VACUUM PUMP "START"- "STOP" TOGGLE SWITCH
<b>MAXIMUM CAPACITY:</b>	250-LBS.
<b>WEIGHT:</b>	360-LBS. (NET)

Distributed By:  
Doug Care Equipment, Inc.  
PO Box 1058  
Springville, CA 93265  
888-278-0377 doug@dougcare.com