

Daniels **F**ood **E**quipment

DVTS 100 TUMBLER



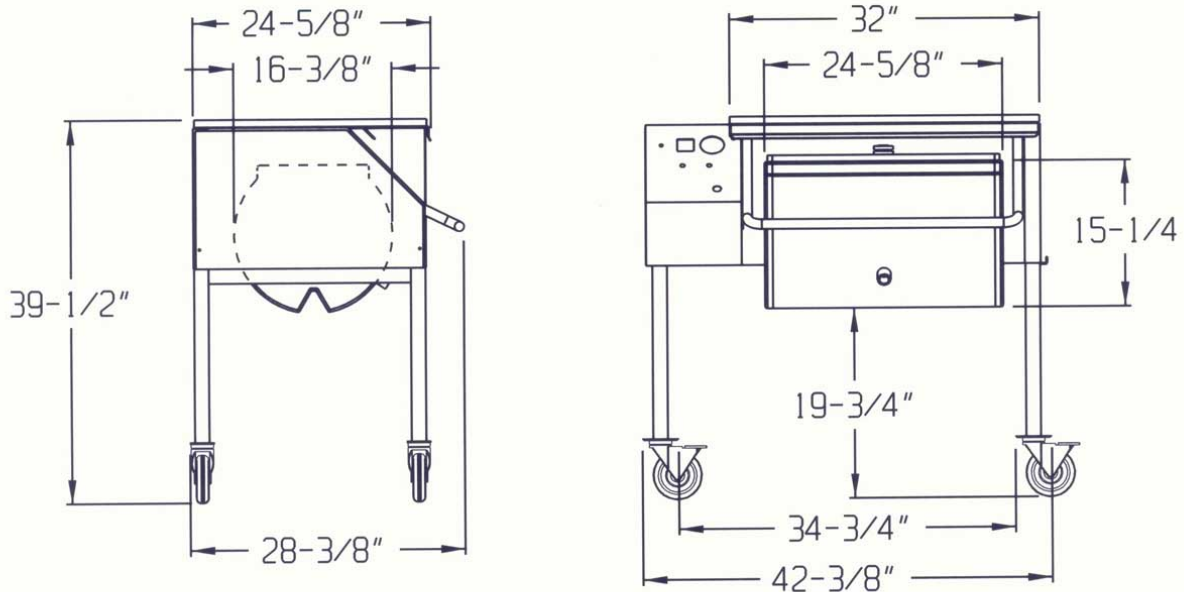
If your looking for a economical quality tumbler you found it! The DVTS 100 tumbler Has every thing you need. Variable speed control, 0 to 16 rpm. Easy to clean inside the tank, the lid is as wide as the tank. Safety bar and safety switch. LED timer in hours and minutes. By turning the variable speed control you can rotate the tank just where you want it for unloading, loading and cleaning. Easy to change vacuum filter. Liquid filled vacuum guage. Drain plug. This tumbler even has a cutting board on top. Gain profits by tumbling, weight gain and tenderizing all in minutes.

Daniels **F**ood **E**quipment

Distrubted By:
Doug Care Equipment Inc.
PO Box 1058
Springville, CA 93265
888-278-0377
doug@dougcare.com

DANIELS FOOD EQUIPMENT

DVTS-100 TUMBLER



SPECIFICATIONS

TOTAL POWER INPUT:	15 AMP, 115 VOLT, 50/60 Hz CIRCUIT
TUMBLER DRIVE:	ELECTRONIC SPEED CONTROL, 120:1 RATIO
VACUUM PUMP:	115 VOLT 3.5 AMPS, 60 Hz
TIMER:	LED-HOURS AND MINUTES
ELECTRONIC CONTROLS:	TUMBLER SPEED-ADJUSTABLE 0-16 RPM, TUMBLER "START" TIMER VACUUM PUMP "STOP"- "START" TOGGLE
MAXIMUM CAPACITY:	100-LBS.
WEIGHT:	182-LBS. (NET)
OVER-ALL DIMENSIONS:	42-1/2" LONG X 25-3/8" WIDE X 39-11/16" TALL

Distributed By:
Doug Care Equipment, Inc.
PO Box 1058
Springville, CA 93265
888-278-0377... doug@dougcare.com