

Daniels **F**ood **E**quipment

DVTS 1000 TUMBLER



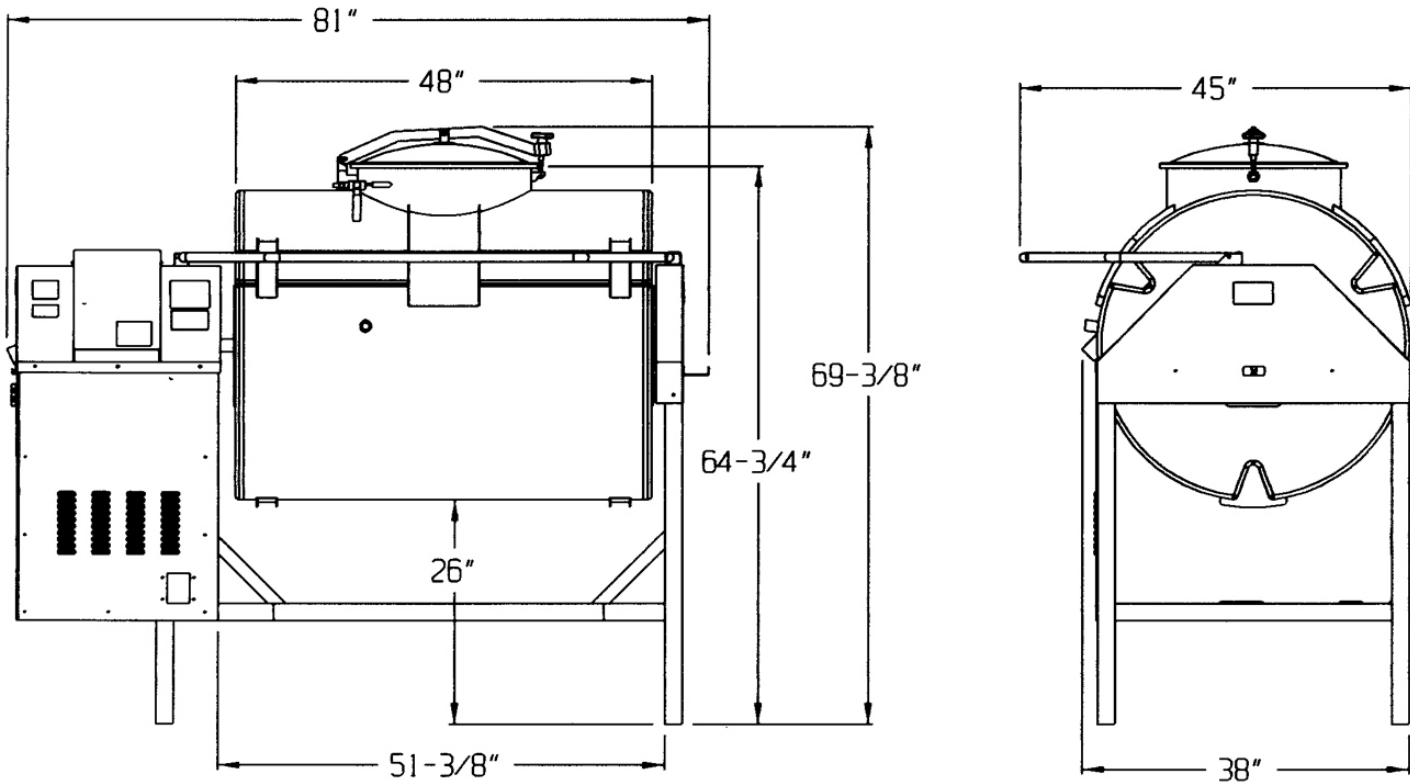
If your looking for a quality tumbler that can handle the big loads you found it! The DVTS 1000 tumbler Has variable speed control, 0 to 16 rpm. Easy to clean. Safety bar and safety switch. LED timer in hours and minutes. Foward and reverse tumbling. With the variable speed control so you can rotate the tank just where you want it for unloading, loading and cleaning. Two vacuum filters. Liquid filled vacuum guage. Drain plug. Gain profits by tumbling, weight gain and tenderizing all in minutes.

Daniels **F**ood **E**quipment

Distributed By:
Doug Care Equipment, Inc.
PO Box 1058
Springville CA 93265
888-278-0377 doug@dougcare.com

DANIELS FOOD EQUIPMENT

DVTS 1000 TUMBLER



SPECIFICATIONS

TOTAL POWER INPUT:	15 AMP, 230 VOLT, 60 Hz, 3PH, 5HP
TUMBLER DRIVE:	VARIABLE SPEED CONTROL, FWD/OFF/REV
DRIVE MOTOR:	HYDRAULIC DRIVE
VACUUM PUMP:	3/4 HP
TIMER:	HOURS, MINUTES
ELECTRONIC CONTROLS:	TUMBLER "START"- "STOP", VACUUM "ON"- "OFF" TIMER "ON"- "OFF" TOGGLE SWITCH
MAXIMUM CAPACITY:	1400-LBS.
WEIGHT:	1000-LBS. (NET)

Distributed By:
Doug Care Equipment, Inc.
PO Box 1058
Springville CA 93265
888-278-0377 doug@dougcare.com